

McMonigal Architects

McMonigal Architects, LLC
1224 Marshall St NE, Suite 400
Minneapolis, Minnesota 55413

Rosemary McMonigal, AIA
612 331-1244
612 331-1079 fax

Project
WRIGHT & FENNIG CABIN
15424 W. Victory Heights Circle
Stone Lake, WI 54876

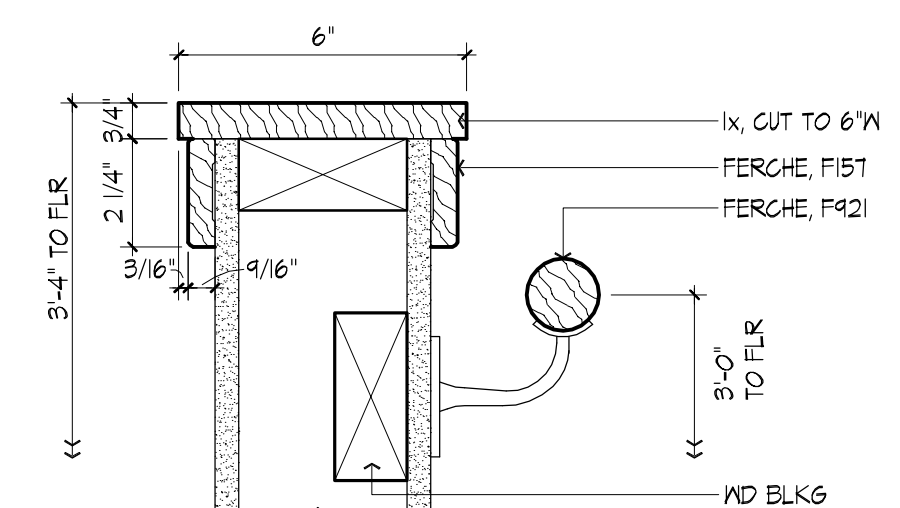
Owner
Martha Wright & John Fennig
2 Otter Lane
North Oaks, MN 55110

ELEVATION GENERAL NOTES - NOT REFERENCED

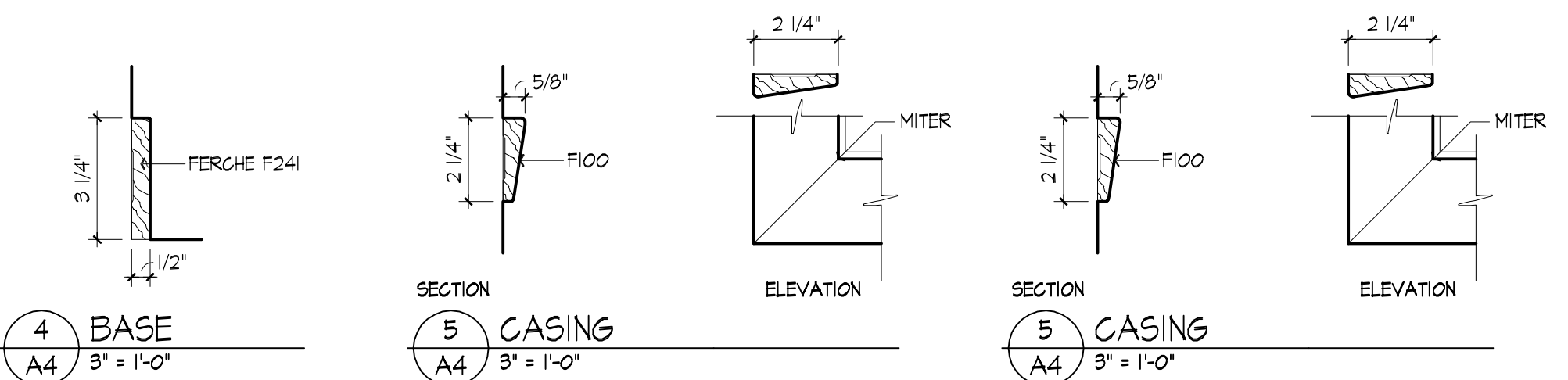
1. ALL LAP SIDING IS HARDPLANK, 5" EXPOSURE.
2. 1x6 HARDTRIM HORIZ TRIM BAND @ BASE OF LAP SIDING. FLG @ T.O. TRIM.
3. 1x6 HARDTRIM OUTSIDE CORNER TRIM.
4. 1x6 HARDTRIM FRIEZE TRIM.
5. FLASH OVER ALL HORIZ TRIM.
6. FLASH WHERE ROOFS MEET WALLS.
7. SEE 1/A4 FOR DECK LEDGER DETAIL.
8. SEE 3/A2 & 4/A2 FOR KICKOUT FLG.
9. ALUM FASCIA & SOFFITS.
10. ALUM GUTTERS, D5 & LEADERS.
11. SEE FLG APPENDIX IN SPEC FOR FLG DETAILS.

ELEVATION NOTES - REFERENCED

- 1] STEP FT6 UP @ RATIO OF 1 VERT TO 2 HORIZ.
- 2] FILL CAVITY @ CANT W/ FOAM INSUL ON EXT, INSTALL 1 1/2" RIGID INSUL UNDER JSTS. FINISH W/ UNVENTED SOFFIT.



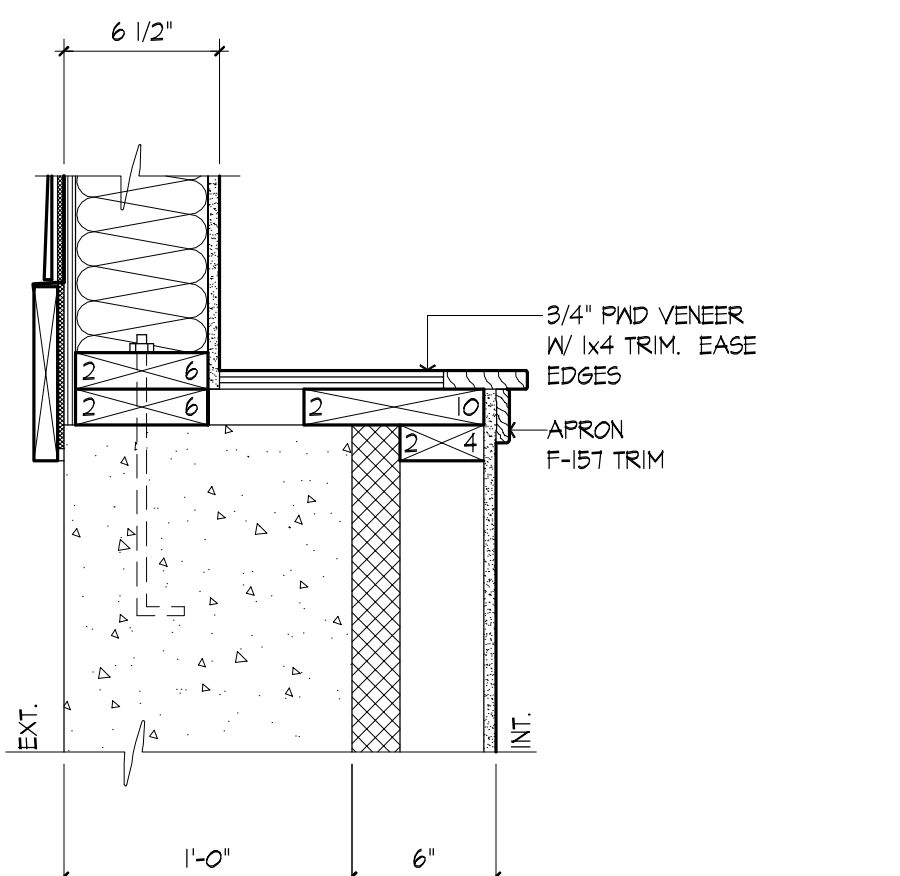
3 WD CAP @ STAIR
A4 3' = 1'-0"



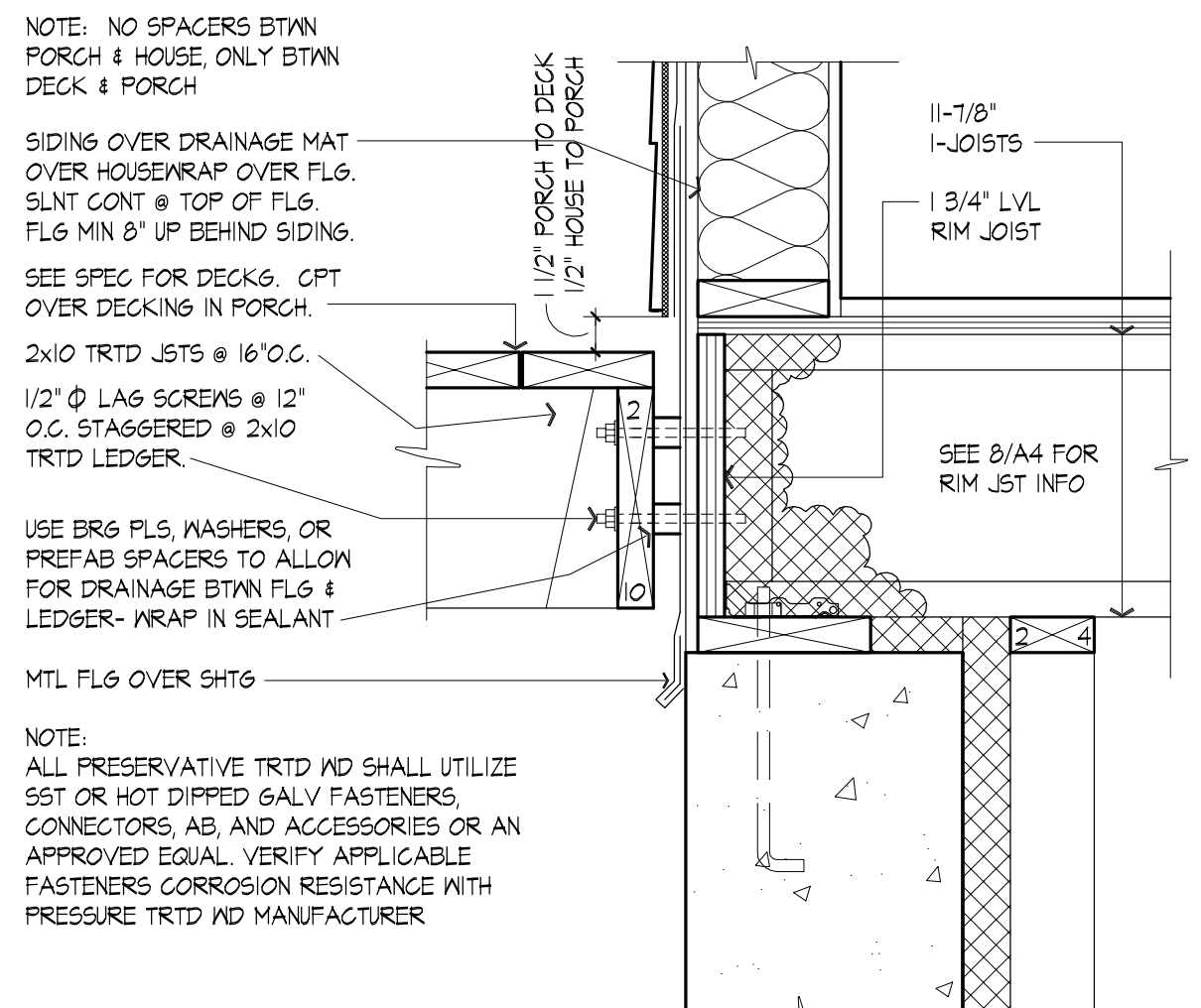
4 BASE
A4 3' = 1'-0"

5 CASING
A4 3' = 1'-0"

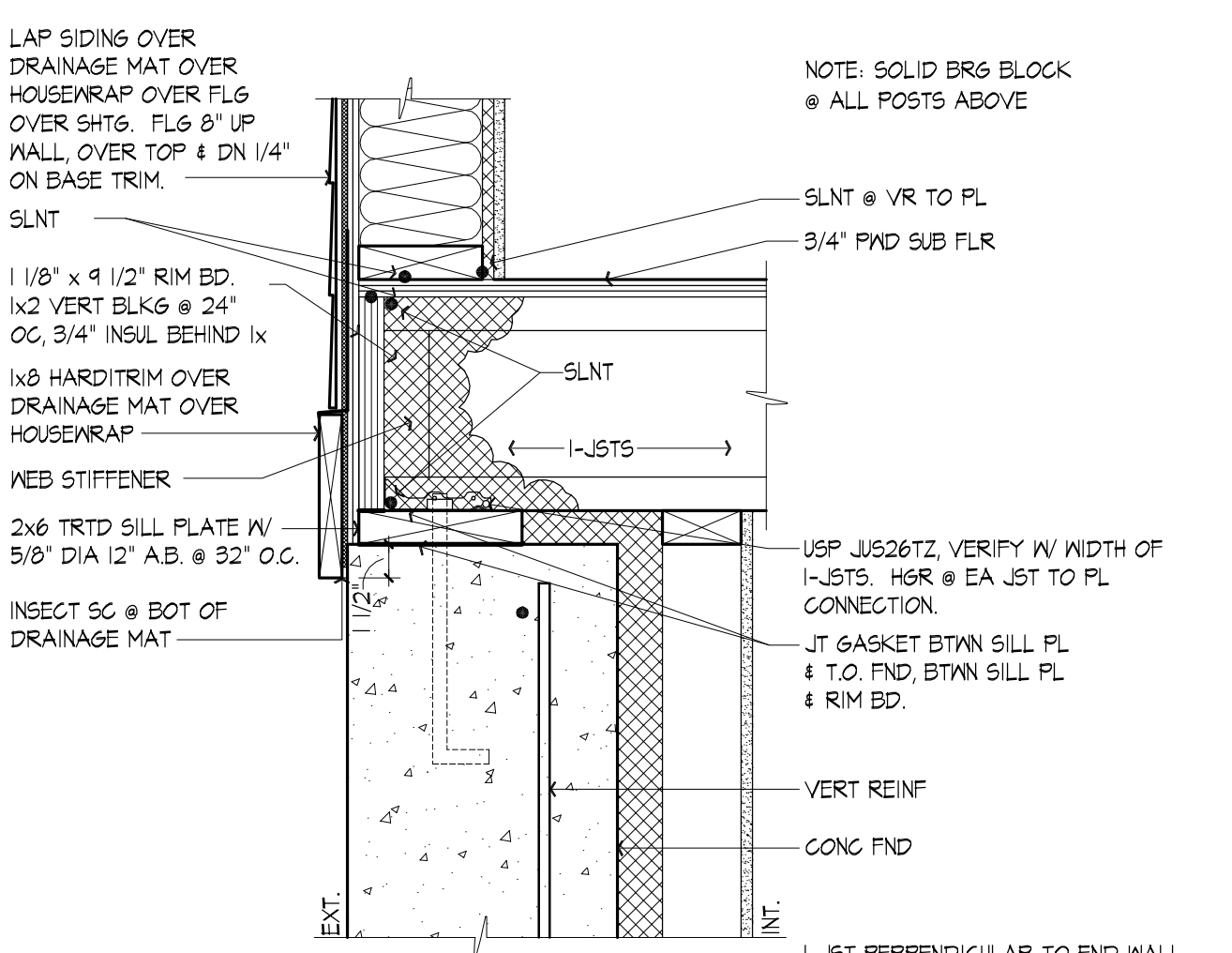
5 CASING
A4 3' = 1'-0"



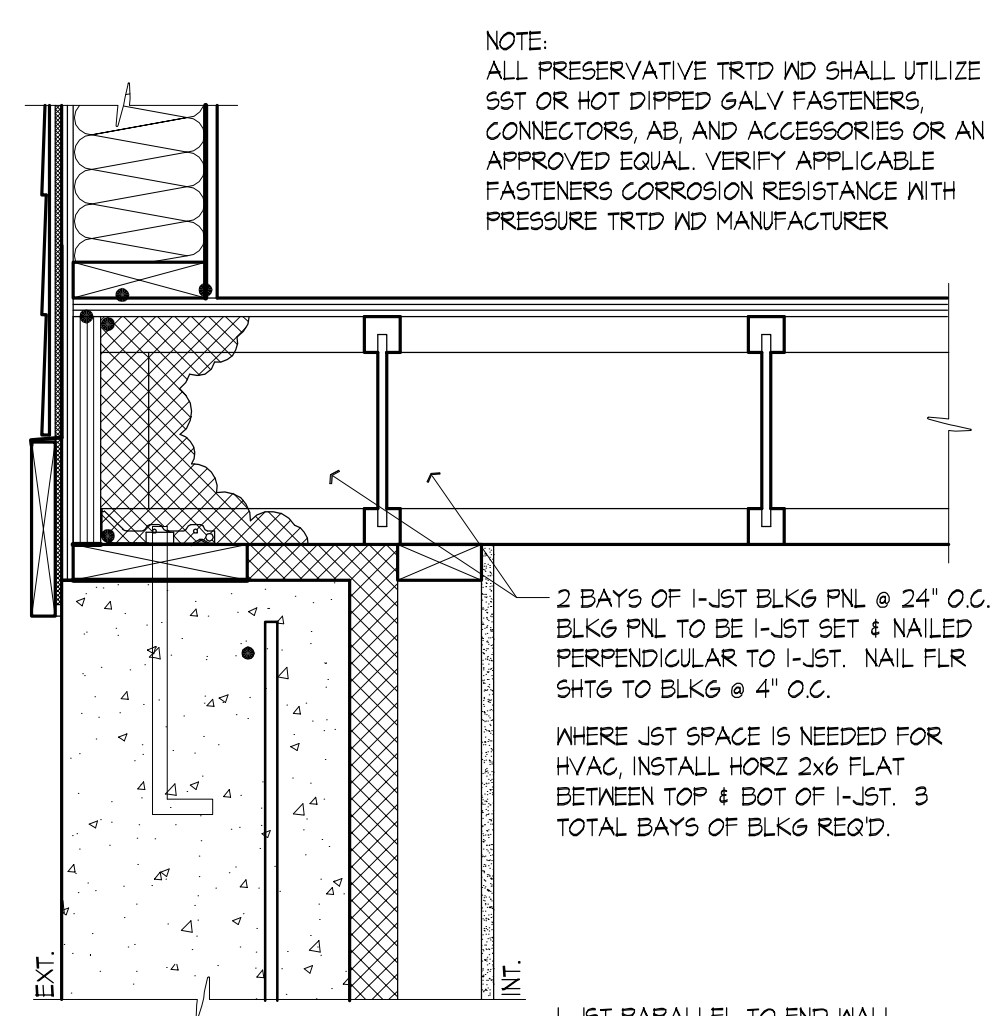
6 SECTION @ PARTIAL HT FND
A4 1 1/2" = 1'-0"



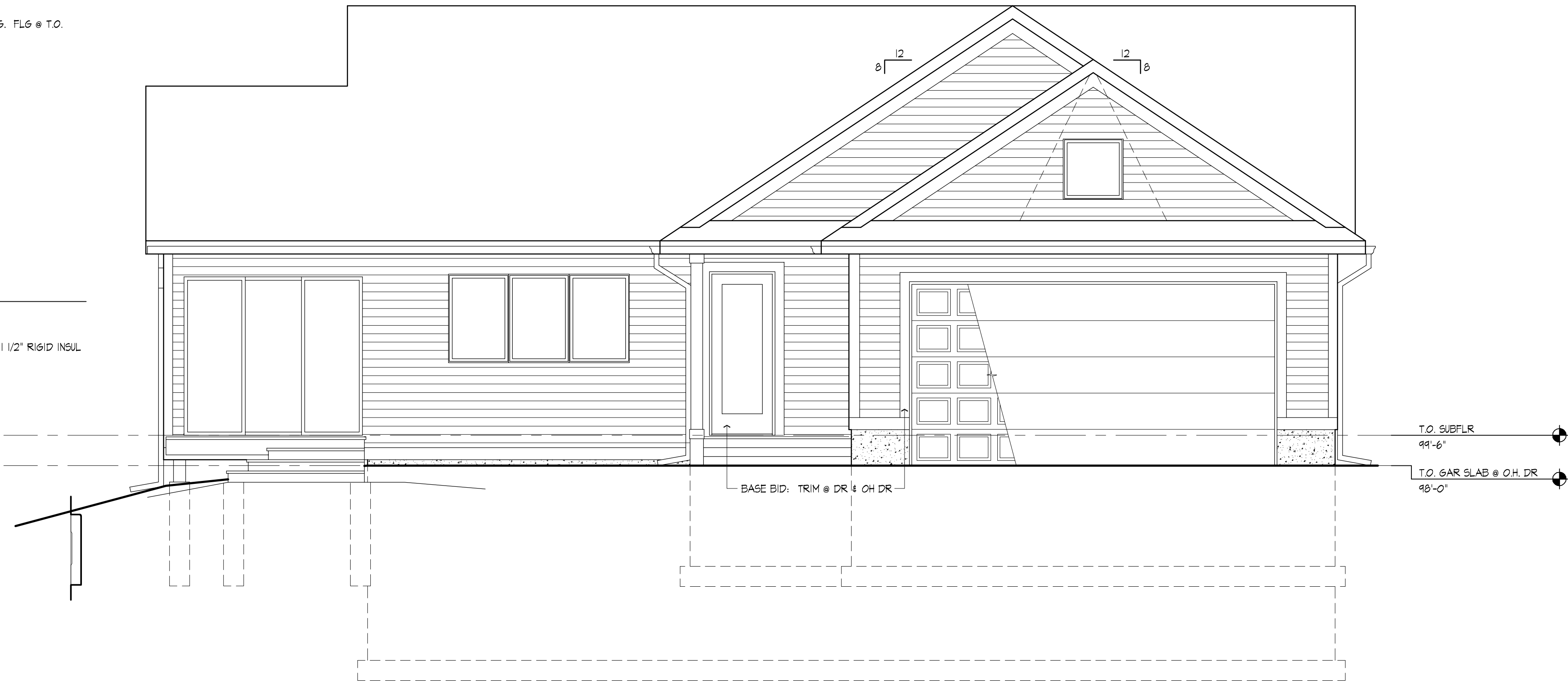
7 DECK LEDGER
A4 1 1/2" = 1'-0"



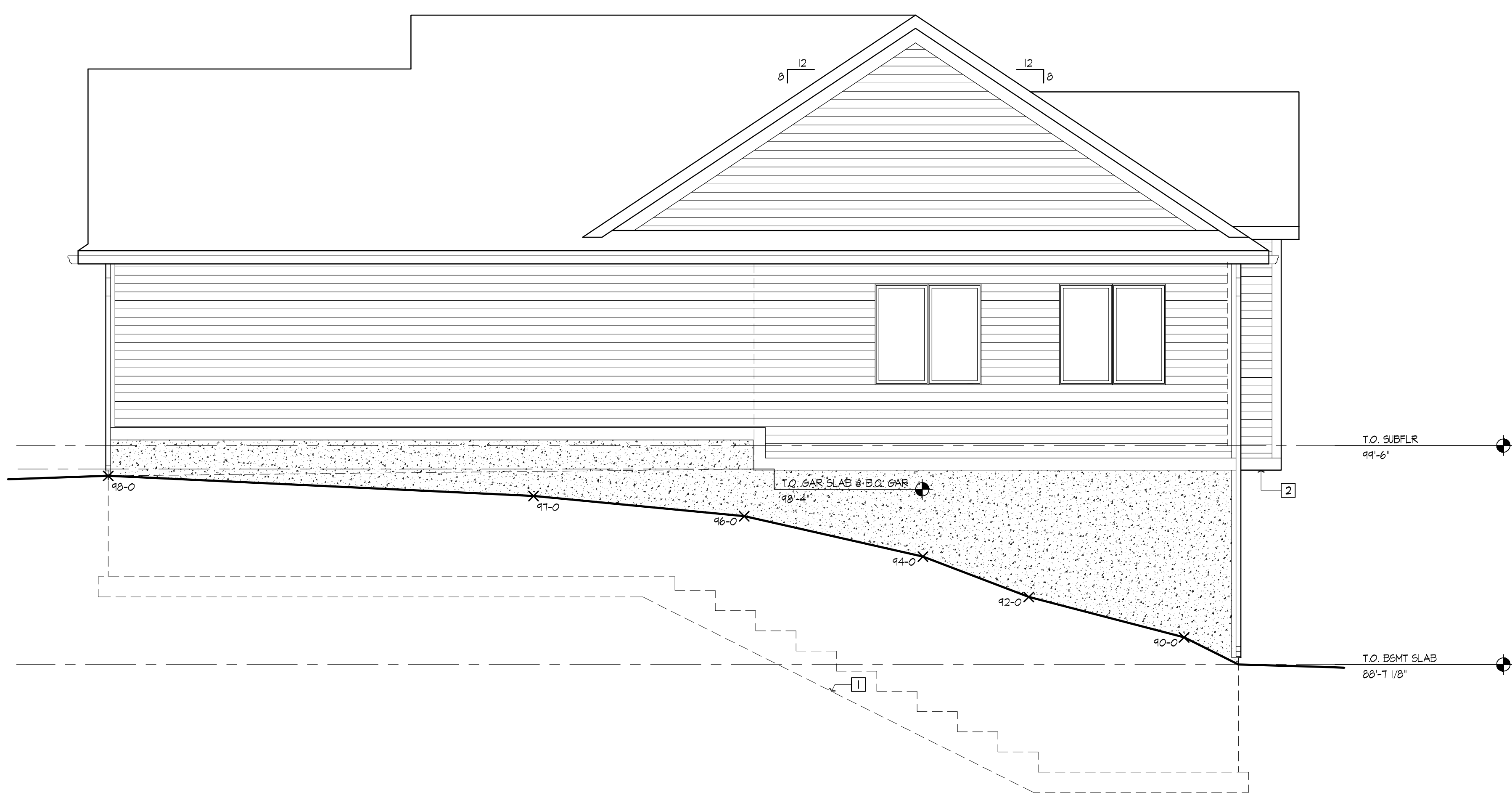
8 I-JST BRG @ CONG FND WALL
A4 1 1/2" = 1'-0"



9 I-JST BRG @ CONG FND WALL
A4 1 1/2" = 1'-0"



1 SOUTH ELEVATION
A4 1/4" = 1'-0"



2 EAST ELEVATION
A4 1/4" = 1'-0"

NOTE: NO SPACERS BTWN PORCH & HOUSE, ONLY BTWN DECK & PORCH

SIDING OVER DRAINAGE MAT OVER HOUSEWRAP OVER FLG. SLNT CONT @ TOP OF FLG. FLG MIN 8" UP BEHIND SIDING

SEE SPEC FOR DECKG. CPT OVER DECKING IN PORCH.

2x10 TRTD JSTS @ 16" O.C.

1/2" LAG SCREWS @ 12" O.C. STAGGERED @ 2x10 TRTD LEDGER

USE BRG PLS, WASHERS, OR PREFAB SPACERS TO ALLOW FOR DRAINAGE BTWN FLG & LEDGER- WRAP IN SEALANT

MTL FLG OVER SHTS

NOTE: ALL PRESERVATIVE TRTD WD SHALL UTILIZE SST OR HOT DIPPED GALV FASTENERS, CONNECTORS, AB, AND ACCESSORIES OR AN APPROVED EQUAL. VERIFY APPLICABLE FASTENERS CORROSION RESISTANCE WITH PRESSURE TRTD WD MANUFACTURER

NOTE: SOLID BRG BLOCK @ ALL POSTS ABOVE

NOTE: ALL PRESERVATIVE TRTD WD SHALL UTILIZE SST OR HOT DIPPED GALV FASTENERS, CONNECTORS, AB, AND ACCESSORIES OR AN APPROVED EQUAL. VERIFY APPLICABLE FASTENERS CORROSION RESISTANCE WITH PRESSURE TRTD WD MANUFACTURER

Structural Engineer
KRECH, O'BRIEN, MUELLER AND ASSOCIATES, INC.
6115 Cahill Avenue
Inver Grove Heights, MN 55076
Jim Krech, PE
651 451-4605
651 451-0917 fax

Architect's Project #0626
April 3, 2007

I hereby certify that this plan, specification or report was prepared by me or under my direct supervision and that I am duly Licensed Architect under the Laws of the State of Wisconsin.

Rosemary McMonigal
Rosemary McMonigal, AIA
Registration Number: 6417-005
Date: April 3, 2007

| Revisions | Number | Description | Date |
|-----------|--------|-------------|------|
| | | | |
| | | | |
| | | | |

SOUTH EXT ELEVATION
EAST EXT ELEVATION
I-JST DETAILS